



Fixed Speed / Constant Fill Fluid Couplings

<http://www.fluidomat.com>



Fluidomat offers drain type fluid couplings HLN-IC for combustion engine drive. The coupling is enclosed into a stationary housing which is connected to the engine by SAE housing. Suitable flexible coupling is provided for connection to engine flywheel.

The output shaft of fluid coupling can be connected to the driven machine through an elastic coupling / carbon shaft or a pulley.

The HLN coupling meets the requirement of power take off unit with all the advantages of fluid coupling.

The HLN couplings has an integral shaft driven pump for circulation of oil through the fluid coupling working circuit and through an external oil cooler. An electrically operated by pass valve is provided to achieve continuous clutching and declutching duties.

Other standard accessories include Oil filter, Oil temperature and pressure switches & Oil level gauge. Optional accessories include - Oil cooler, quick release valve and elastic coupling / pulley on the output shaft of the fluid coupling.

Advantages of HLN Coupling:

- No load Startup of engine.
- Absorbs shock loads and dampens torsional vibrations.
- Smooth startup of driven machine.
- Belt slippage avoided in Belt drives.
- No wearing parts and long life.

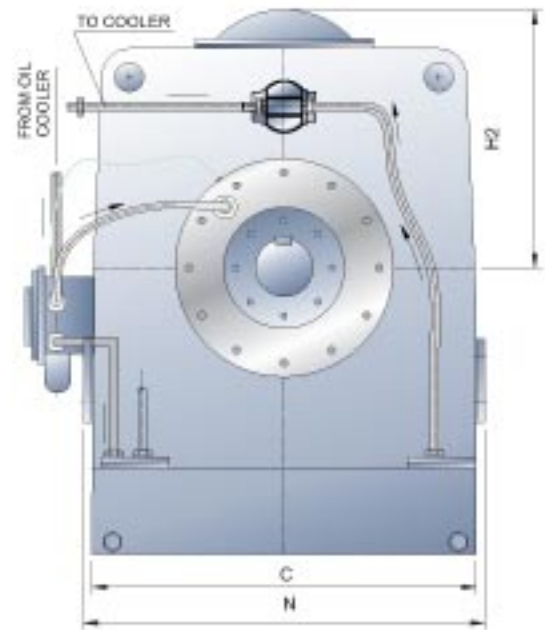
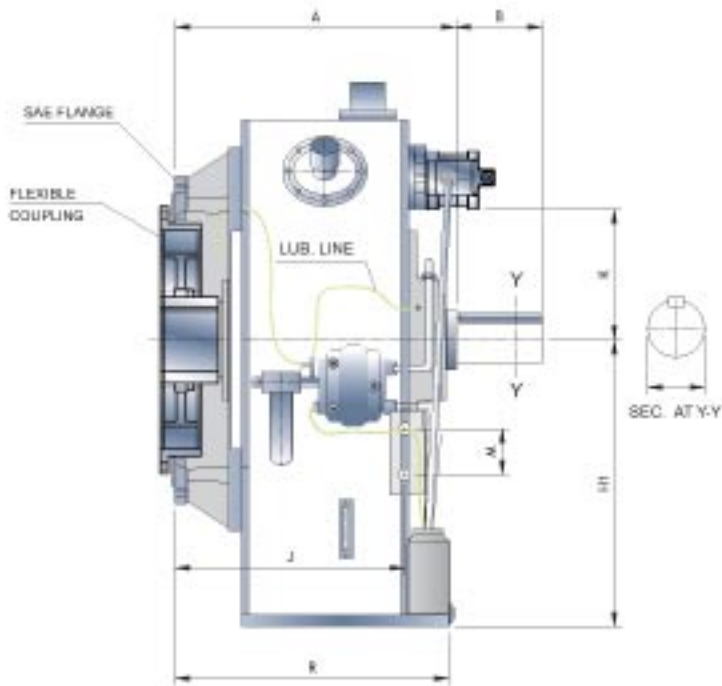
Offered in three models suitable for wide range of power upto 800 KW.

Model	SAE- Housing	SAE Flywheel
500 IC	2-1-0	11.5-14
540 IC	1-0-00	14-16-18
615 IC	1-0-00	14-16-18

HLN

Internal Combustion Engine Coupling

FLUIDOMAT FLUID COUPLING



Dimension Table :

Coupling model HLN	A	B	C	N	R	J	H1	H2	K	M	Ød
500 IC	455	150	678	708	450	406	500	450	228	80	80
540 IC	517	180	828	858	512	458	600	495	263	115	100
615 IC	583	180	828	858	512	458	600	495	263	115	100

Rating Table :

HLN	Max rating in KW at different input speeds in RPM					
	1000	1200	1500	1800	2200	2600
500 IC	72	94	170	290	360	460
540 IC	100	150	235	405	585	-
615 IC	150	220	320	550	750	-

